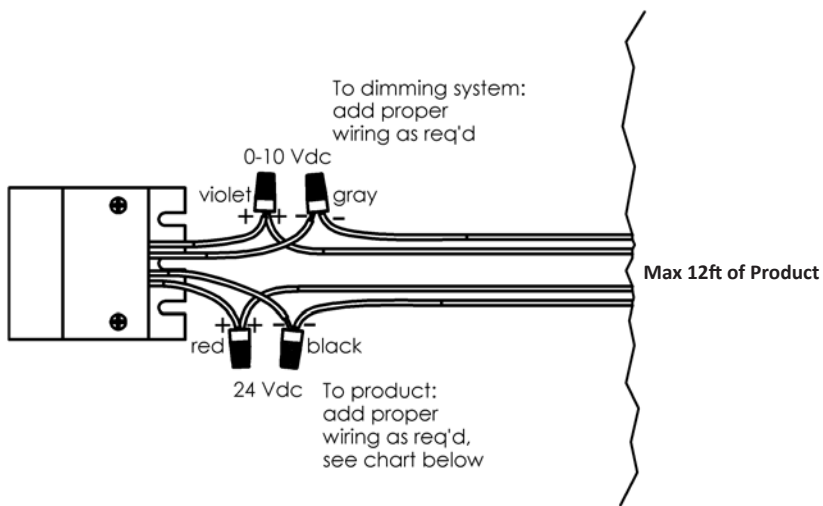
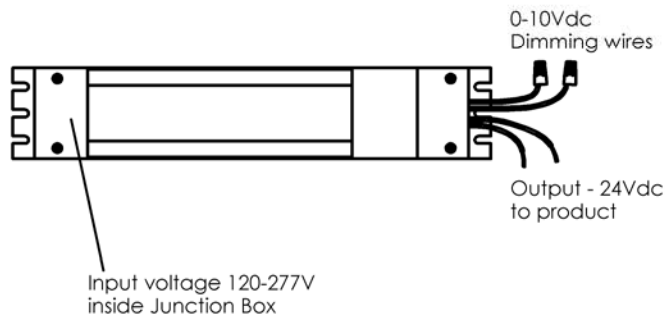


Wiring for dimmable Power Supply

TBECODC-DIM-HP-100W-UNV



Wiring chart

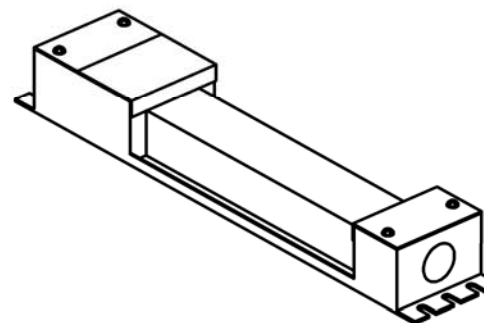
Gauge	Length
18 (0.75mm <sup>2</sup> )	30ft (9m) maximum
16 (1.50mm <sup>2</sup> )	45ft (14m) maximum
14 (2.0mm <sup>2</sup> )	70ft (21m) maximum

ATTENTION! READ ALL INSTRUCTIONS ENTIRELY BEFORE INSTALLATION

ATTENTION! READ ALL INSTRUCTIONS ENTIRELY BEFORE INSTALLATION

ATTENTION! READ ALL INSTRUCTIONS ENTIRELY BEFORE INSTALLATION

100W Power Supply with class 2, 24Vdc output



TBECODC-PS-HP-100W-UNV - non-Dimmable Power Supply  
 TBECODC-DIM-HP-100W-UNV - Dimmable Power Supply

various possible configurations with 12 linear ft. of T-BAR ECO DC

	Number of fixtures	MODEL	Number of fixtures	MODEL
Option 1 Total Load *84W	6	ECO DC 2ft/60cm Total W/ fixture 14W	/	/
Option 2 Total Load *84W	4	ECO DC 2ft/60cm Total W/ fixture 14W	1	ECO DC 4ft/120cm Total W/ fixture 28W
Option 3 Total Load *84W	3	ECO DC 4ft/120cm Total W/ fixture 28W	/	/
Option 4 Total Load *84W	2	ECO DC 4ft/120cm Total W/ fixture 28W	2	ECO DC 2ft/60cm Total W/ fixture 14W

\*Total load does not include power supply consumption

UL listed for indoor use  
**CAUTION**

\* T-BAR ECO DC™ is designed to work with Class 2 - 24Vdc power supplies only. Use of any other power source will cause damage, shorten the life of the fixture, and may void the warranty.

\* This fixture must be installed and wired by a qualified electrician.

\* JLC-Tech LLC will not be held responsible if the fixtures are not installed according to applicable codes and standards.

\* Installation is subject to local code and jurisdiction.

\* Keep these instructions for the person responsible for the maintenance of this installation.

T-BAR569: T-BAR ECO DC 100W Power Supply Instruction Sheet Rev.01



Designed in Italy  
 Made in Tunisia

Field Installation

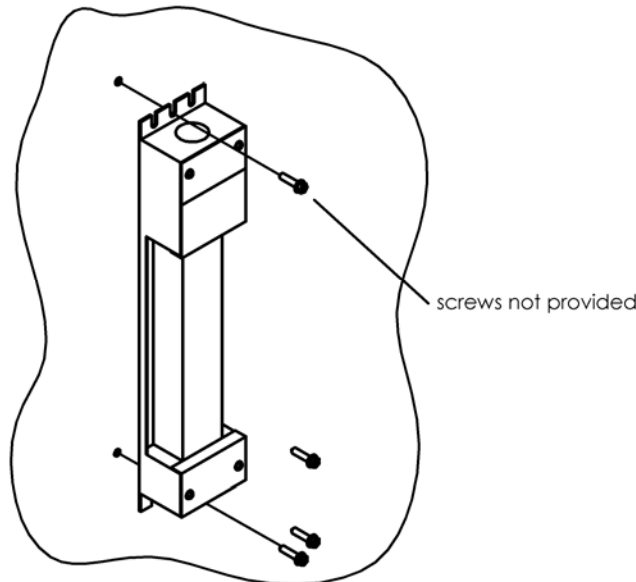
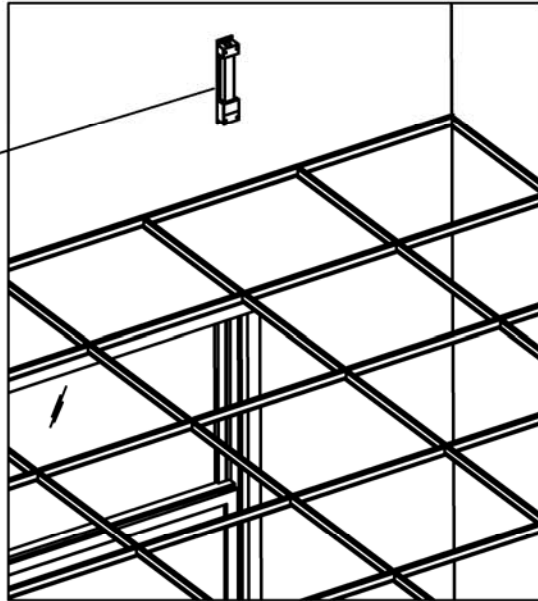
Power Supply to be securely fastened on site. Appropriate location and mounting hardware to be determined by the installer depending on field conditions

**Warning:**

For IC (insulated ceiling) installations: Do not install insulation within 76mm(3in) of remote driver

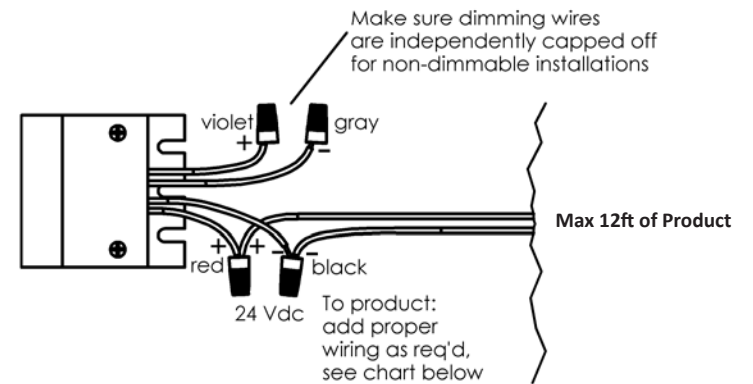
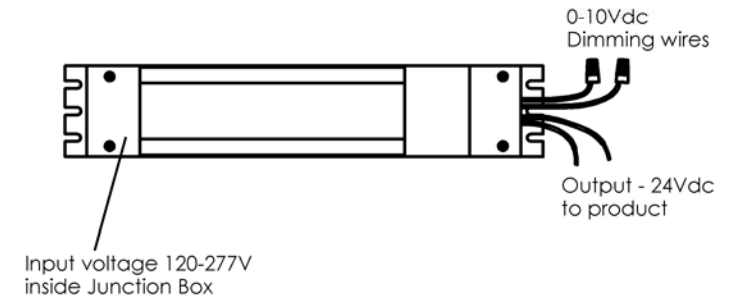
**Avertissement:**

Ne pas mettre l'isolant à moins de 76mm(3po) de l'alimentation



Wiring for non-dimmable Power Supply

TBECODC-PS-HP-100W-UNV



Wiring chart

Gauge	Length
18 (0.75mm <sup>2</sup> )	30ft (9m) maximum
16 (1.50mm <sup>2</sup> )	45ft (14m) maximum
14 (2.0mm <sup>2</sup> )	70ft (21m) maximum

ATTENTION! READ ALL INSTRUCTIONS ENTIRELY BEFORE INSTALLATION

ATTENTION! READ ALL INSTRUCTIONS ENTIRELY BEFORE INSTALLATION